

ADDITIONAL TOWERS

2 1/2" COLUMN

Hose assembly: 5 ft x 3/16" I.D. air cooled only. Faucet knob not included.

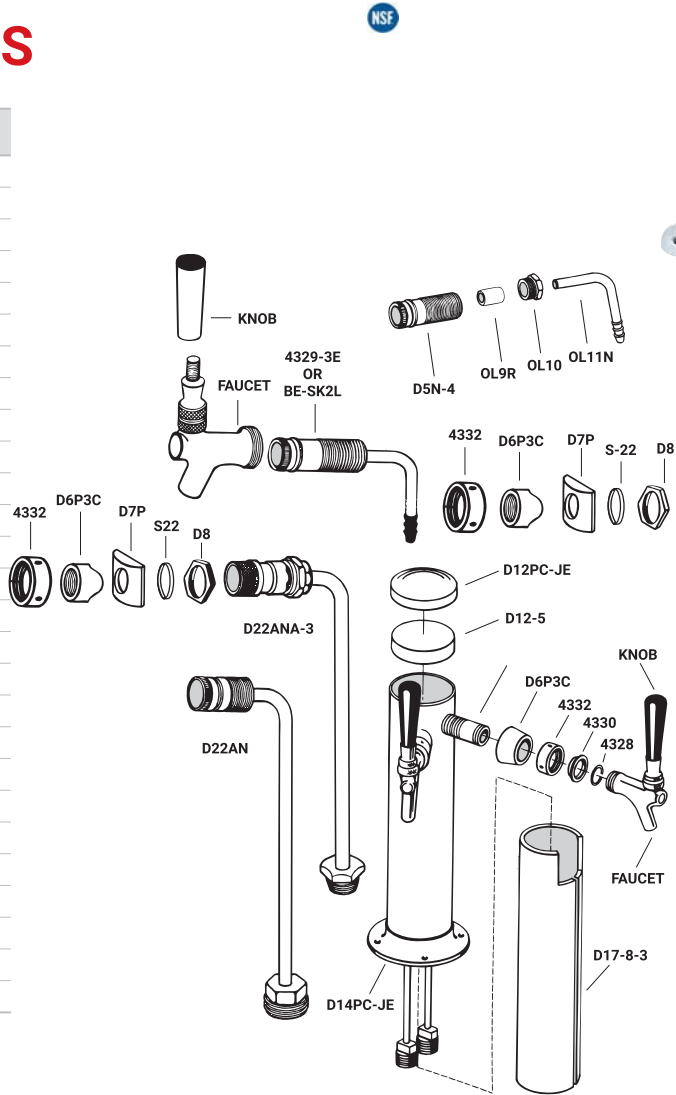
PART NO.	FINISH
D4740	Polished SS



REPLACEMENT PARTS

TOWER PARTS

PART NO.	DESCRIPTION
D5N-4	1/4" bore shank
OL9R	Gland
OL10	Flare nut
OL11N	SS elbow
4332	Chrome coupling nut
4329-3E	2" shank with SS elbow (3/16" I.D.)
BE-SK2L	2" shank with SS elbow (1/4" I.D.)
D5N-ARF	SPINSTOP™ shank 304 SS with elbow
D5N-ARF-LE	SPINSTOP™ shank 304 SS
D6P3B	Brass outside flange (for 3")
D6P3C	Chrome outside flange (for 3")
D6P4C	Chrome outside flange (for 4")
D6PFB	Brass "T" tower outside flange (flat)
D6PFC	Chrome "T" tower outside flange (flat)
D7P	Inside flange
S-22	Serrated lock washer
D8	Lock nut
D22AN	1 piece 1/4" O.D. tube
D22ANA-3	Tube Assembly, SS, (1/4" O.D.)
D12P-JE	3" black plastic top cap
D12PC-JE	3" chrome plastic top cap
D12-PVD	3" PVD brass top cap
D12-2PA	2 1/2" chrome top cap
D12-5	3" top cap insulation
D17-8-3	3" O.D. insulation
D16-3	Gasket, fits 3" O.D. column
D16-4	Gasket, fits 4" O.D. column



TOWER RISERS

After unscrewing the tower from the countertop, simply lift the tower, place the riser under it, then using the supplied long bolts, re-attach the tower.

PART NO.	DESCRIPTION
MM-GTL-3	Fits 3" column tower flange
MM-GTL-4	Fits 4" column tower flange



MM-GTL-4

HOLE COVERS

PART NO.	HOLE SIZE	FINISH
DS-HCP	3"	SS
DS-HCPBR	3"	Brass
DS-HCPL	4"	SS
DS-HCPBRL	4"	Brass



DS-HCPBR



DS-HCPL